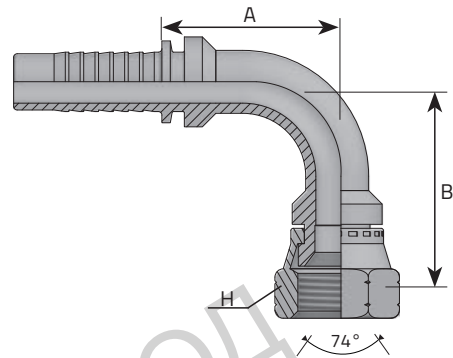




## JIC 37° FEMALE - 90° ELBOW (1)

FEMMINA 90° JIC SV 37°  
 FEMELLE 90° JIC CÔNE 37°  
 DKJ 90° BOGEN 37° JIC DICHTKOPF (UNF)  
 HEMBRA GIRATORIA A 90° JIC CONO 37°



Code	Tube		Thread		Dimensions			Pressure		
	D.N.	Hose	Diam	T	t/1"	H	B	A	Bar	Psi
	Inch	mm	Inch		mm	mm	mm			
F90J0304	-3	3/16"	4.8	7/16"	20	15	26	23	350	5076
F90J0305	-3	3/16"	4.8	1/2"	20	17	27	23	350	5076
F90J0404	-4	1/4"	6.4	7/16"	20	15	26	23	350	5076
F90J0405	-4	1/4"	6.4	1/2"	20	17	27	23	350	5076
F90J0406	-4	1/4"	6.4	9/16"	18	19	27	23	250	3626
F90J0505	-5	5/16"	7.9	1/2"	20	17	32	31.5	350	5076
F90J0506	-5	5/16"	7.9	9/16"	18	19	32	31.5	250	3626
F90J0507	-5	5/16"	7.9	5/8"	18	22	32.5	31.5	-	-
F90J0508	-5	5/16"	7.9	3/4"	16	24	32.5	31.5	250	3626
F90J0606	-6	3/8"	9.5	9/16"	18	19	35	33	250	3626
F90J0607	-6	3/8"	9.5	5/8"	18	22	35.5	33	-	-
F90J0608	-6	3/8"	9.5	3/4"	16	24	36.5	33	250	3626
F90J0610	-6	3/8"	9.5	7/8"	14	27	39.5	33	200	2901
F90J0808	-8	1/2"	12.8	3/4"	16	24	41	39	250	3626
F90J0810	-8	1/2"	12.8	7/8"	14	27	42.5	39	200	2901
F90J0812	-8	1/2"	12.8	1.1/16"	12	32	50	39	200	2901
F90J1010	-10	5/8"	16	7/8"	14	27	50	49	200	2901